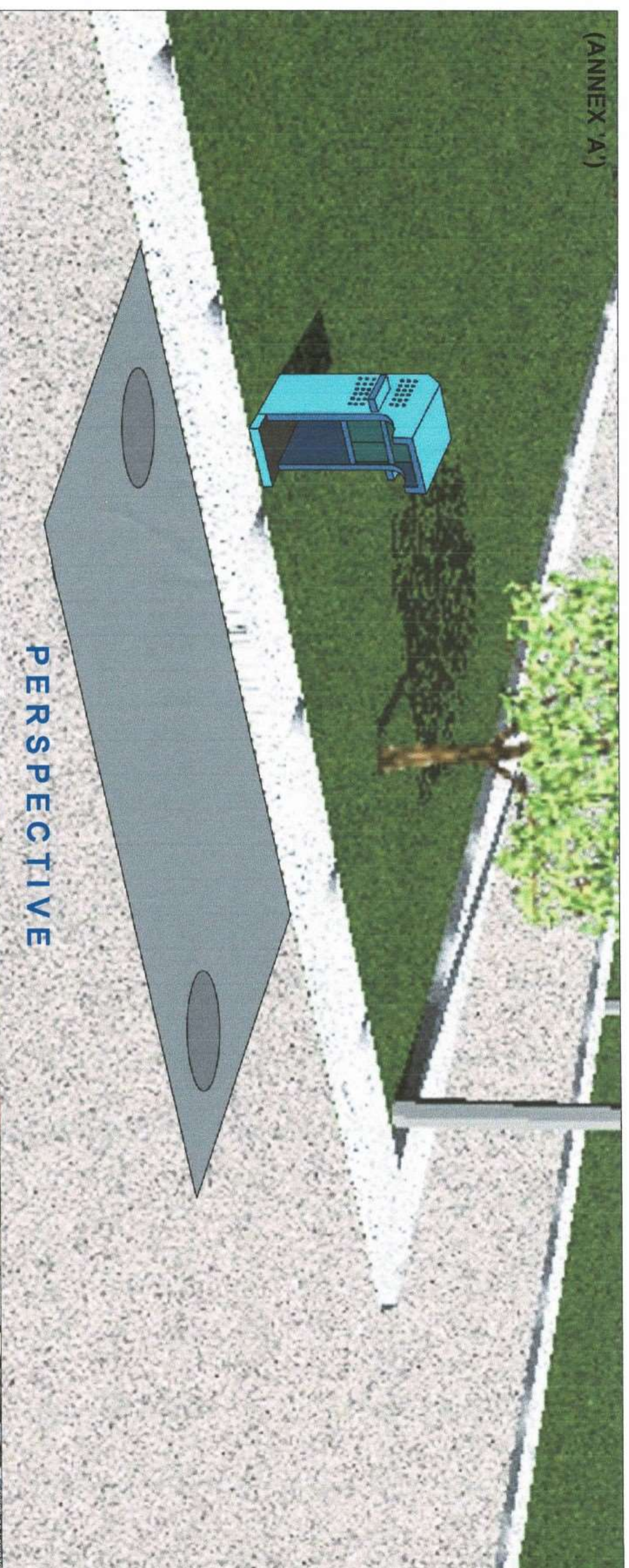
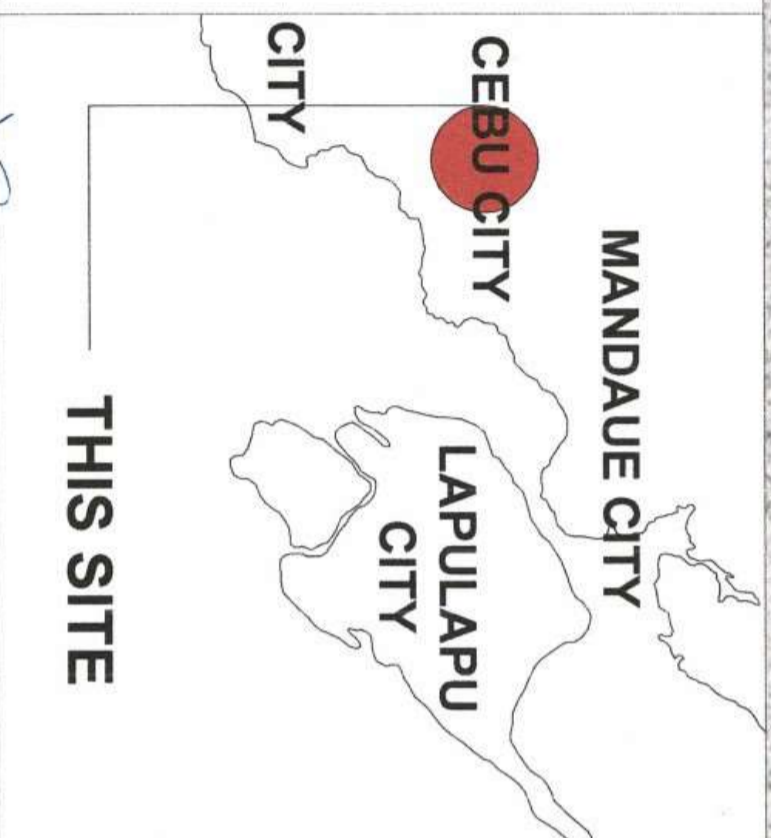


(ANNEX 'A')



PERSPECTIVE



MAP OF CEBU

REPUBLIC OF THE PHILIPPINES
DPWH
OFFICE OF THE BUILDING OFFICIAL
CEBU CITY

RECOMMENDING APPROVAL:

HEAD, ARCHITL. SECTION DATE

APPROVED:

BUILDING OFFICIAL DATE

LAND USE AND ZONNING

RECOMMENDING APPROVAL:

HEAD DATE

LINE AND GRADE

RECOMMENDING APPROVAL:

HEAD DATE

ARCHITECTURAL

RECOMMENDING APPROVAL:

HEAD DATE

STRUCTURAL

RECOMMENDING APPROVAL:

HEAD DATE

SANITARY

RECOMMENDING APPROVAL:

HEAD DATE

ELECTRICAL

RECOMMENDING APPROVAL:

HEAD DATE

MECHANICAL

RECOMMENDING APPROVAL:

HEAD DATE

ELECTRONICS

RECOMMENDING APPROVAL:

HEAD DATE

OWNER:
Mechopolitan Water District
CORNER MANDAUEN & LAPULAPU STREETS, CEBU CITY
APPROVED:
JORGE L. GARRINTE
MANAGING ENGINEER
STEPHEN D. YEE
REGISTERED ELECTRICAL ENGINEER

NAME OF PROJECT:
GUADALUPE BULK WATER
SUPPLY PROJECT

PROJECT No:

SHEET CONTENT:
(ANNEX 'A')
PERSPECTIVE, LOCATION
PLAN, & VICINITY MAP
SCALE: AS INDICATED

SHEET NUMBER:
01
04

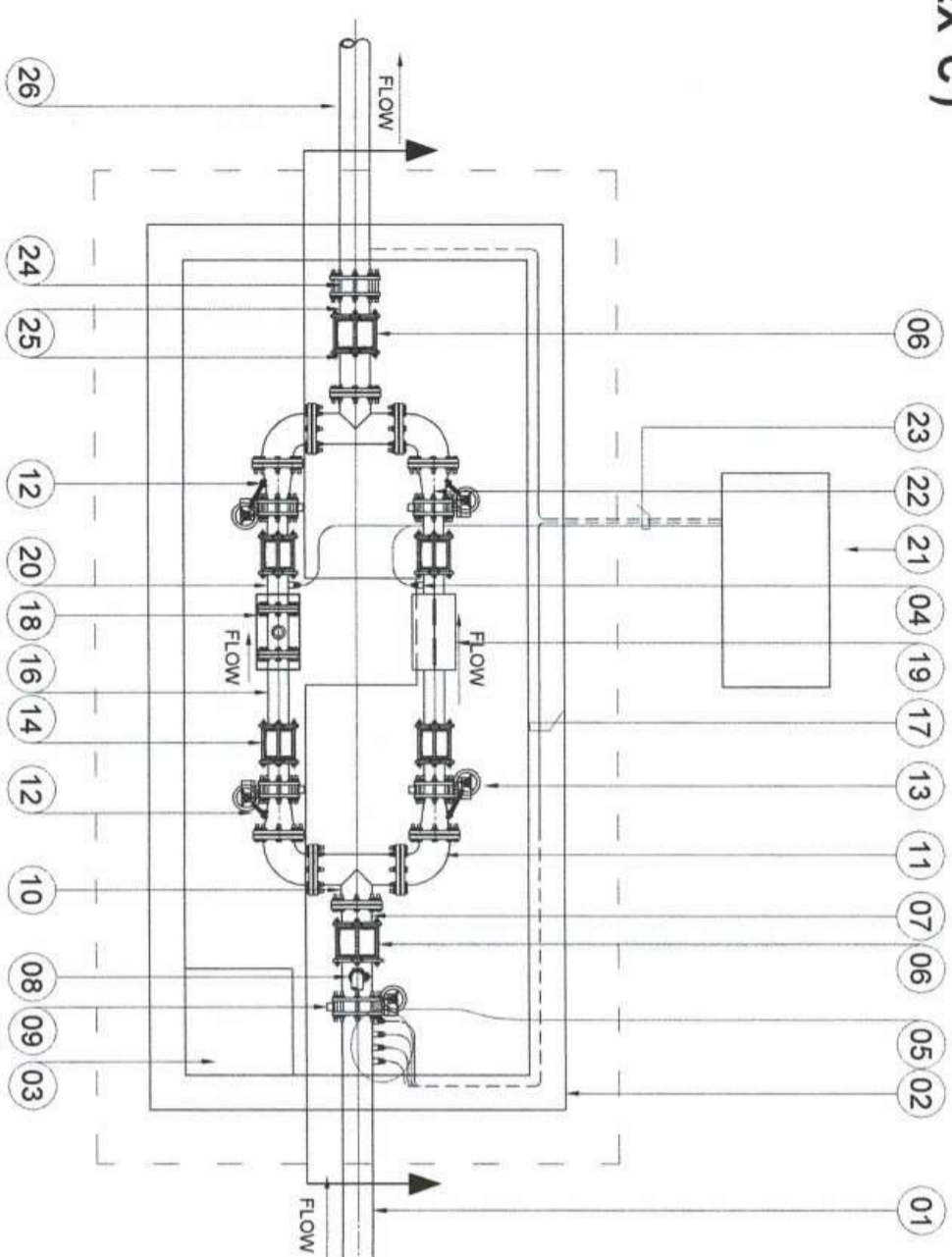
FROM THE OFFICE OF
MCWD ENGINEERING DEPARTMENT
REGISTERED ELECTRICAL ENGINEER
WILSON O. TIBAL
REGISTERED ELECTRICAL ENGINEER
ANDREY L. CASINO
REGISTERED ELECTRICAL ENGINEER

PREPARED BY: **NELSON R. RUIZ**
DATE: **MAY 20, 2022**

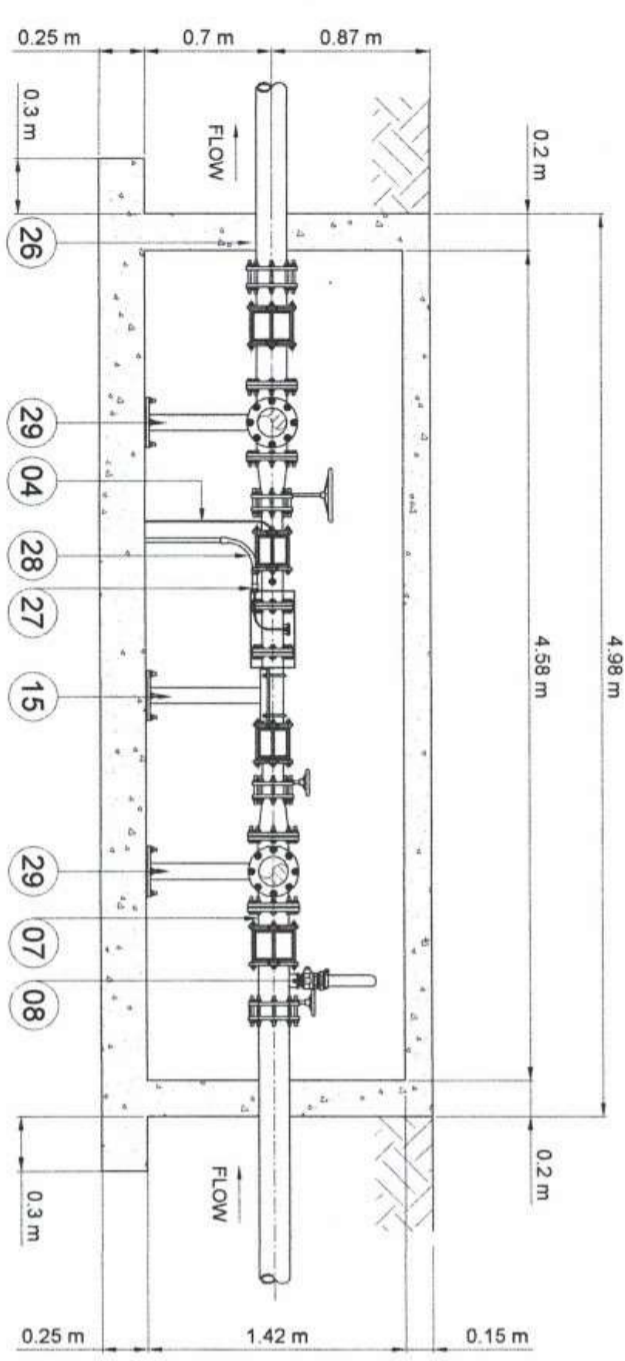
DRAWN BY: **NELSON R. RUIZ**
DATE: **JULY 20, 2022**

REG. No. _____
PTR No. _____
DATE: _____
PLACE: _____
TIN: _____
SEAL: _____

NO.	REVISION	DESCRIPTION	DATE	REVIEWED	APPROVED



PLAN
SCALE 1 : 25 METERS

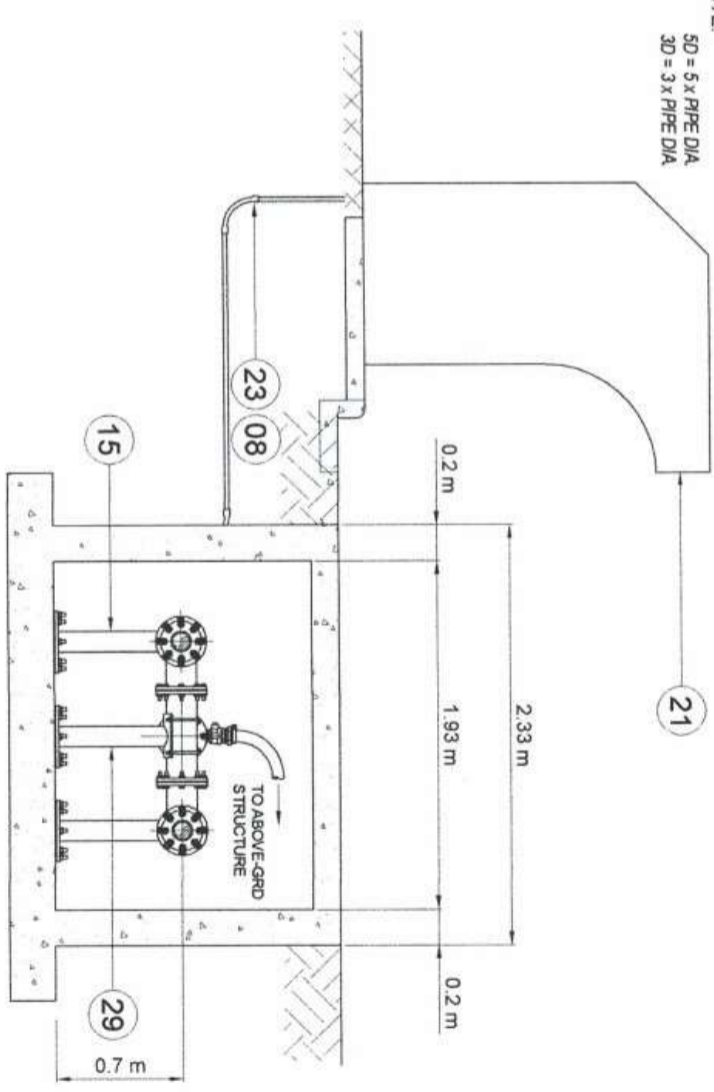


LONGITUDINAL SECTION
SCALE 1 : 25 METERS

01. PROPOSED \varnothing 200 mm SUPPLY LINE FROM SOURCE
02. PROPOSED REINF. CONCRETE VAULT WITH 2 IMPROVISED C.I. ACCESS MANHOLE FRAME AND COVER. SEE DETAIL
03. 0.60 m SQR x 0.60 m DEEP SUMP
04. PRESSURE MONITORING SENSOR PORT
05. WATER QUALITY MONITORING SENSOR PORTS
06. \varnothing 200 mm DUCTILE IRON FLEXIBLE COUPLING ASSEMBLY, STEEL TO STEEL CONNECTION
07. \varnothing 200 mm SCHED 40 G.I. FLANGE ADAPTOR, FS
08. \varnothing 63 mm CORP STOP IN \varnothing 50 mm G.I. COUPLING & STUB PIPE
09. \varnothing 200 mm WAFER TYPE SEMI-LUG BUTTERFLY VALVE WITH HANDWHEEL (REFER TO SPECS)
10. \varnothing 200 mm DUCTILE IRON TEE, FFF
11. \varnothing 200 mm x 90° DUCTILE IRON ELBOW, FF (TYPICAL OF 4)
12. VALVE SECURITY AND LOCKING DEVICE, TYPICAL ON ALL VALVES INSIDE THE VAULT (SEE DETAIL ON SHT # 3)
13. \varnothing 150 mm SEMI-LUG WAFER TYPE BUTTERFLY VALVE WITH HANDWHEEL, TYP. OF 4 (SEE SPECIFICATIONS)
14. \varnothing 150 mm D.I. FLEXIBLE COUPLING ASSEMBLY FOR STEEL CONNECTION (TYPICAL OF 4)
15. METER SUPPORT (TYPICAL OF 2, SEE DETAIL)
16. \varnothing 150 mm x 0.75 m 5D UPSTREAM FLOW STRAIGHTENER SPOOL (G.I. SCHED. 40 H.G.), FS (TYP. OF 2)
17. CABLE LINES FROM DATA PORTS & FLOWMETERS IN 63 mm PVC CONDUIT
18. \varnothing 150 mm FULL BORE ELECTROMAGNETIC FLOWMETER (SHOWN WITH NO ENCASUREMENT), TYP. OF 2 (SEE SPECIFICATIONS)
19. FLOWMETER FABRICATED METAL CASING WITH LOCK (TYPICAL OF 2, SEE DETAIL)
20. \varnothing 150 mm x 0.45 m 3D DOWNSTREAM FLOW STRAIGHTENER SPOOL (G.I. SCHED. 40 H.G.), FS, (TYP. OF 2)
21. PROPOSED ABOVE-GROUND FLOWMETER-TRANSMITTER STRUCTURE. SEE DETAIL (LOCATION FOR ACTUAL VERIFICATION)
22. \varnothing 200 mm x 150 mm DUCTILE IRON REDUCER, FF (TYPICAL OF 4)
23. TRANSMITTER & PRESSURE MONITORING CABLES IN \varnothing 63 mm PVC CONDUITS TO ABOVE-GROUND CONTROL STRUCTURE
24. \varnothing 200 mm WAFER TYPE SWING CHECK VALVE
25. \varnothing 200 mm G.I. FLANGE ADAPTOR, FS, (TYPICAL)
26. \varnothing 200 mm PIPE TO INJECTION POINT
27. \varnothing 20 mm ($\frac{3}{4}$) PVC ELECTRICAL MALE THREADED ADAPTOR WITH LOCKWUT, TYPICAL
28. \varnothing 20 mm ($\frac{3}{4}$) PVC ELECTRICAL CONDUIT WITH 90° ELBOW, TYPICAL
29. TEE SUPPORT, (TYPICAL OF 2, SEE DETAIL)
30. 150 psi CAPACITY OIL-FILLED PRESSURE GAUGE WITH SNUBBER AND BALL VALVE

NOTE:

SD = 5 x PIPE DIA
3D = 3 x PIPE DIA



CROSS SECTION
SCALE 1 : 25 METERS

REPUBLIC OF THE PHILIPPINES
OFFICE OF THE BUILDING OFFICIAL
D P W H
CEBU CITY

RECOMMENDING APPROVAL: _____ DATE: _____

HEAD, METRICAL SECTION

APPROVED: _____ DATE: _____

BUILDING OFFICIAL

FROM THE OFFICE OF THE BUILDING OFFICIAL

MCWD ENGINEERING DEPARTMENT

PREPARED BY: NELSON N. RUIZ
DATE: JUL 20, 2022

DRAWN BY: NELSON N. RUIZ
DATE: JUL 20, 2022

REGISTERED PROFESSIONAL ENGINEER IN CIVIL ENGINEERING
REG. NO. _____ PTR. NO. _____ DATE: _____

PLACE: _____ SEAL: _____

OWNER: **Hechohanan Baku Water District**
CORNER MADUPLANES & LAPULAPU STREETS, CEBU CITY

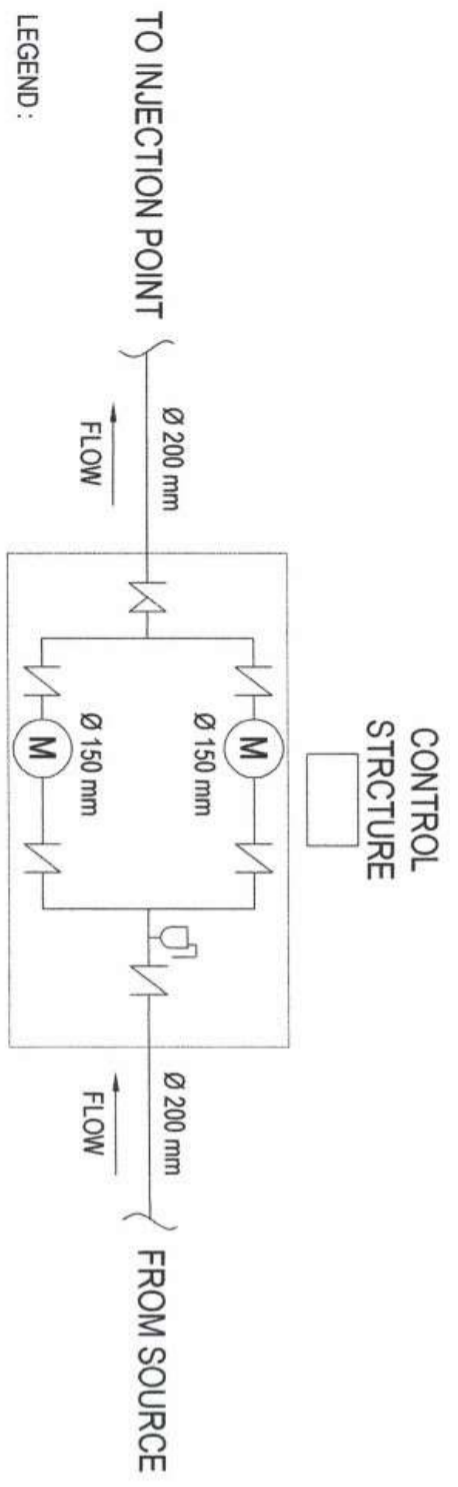
APPROVED: **STEPHEN D. YEE**
REGISTERED PROFESSIONAL ENGINEER IN CIVIL ENGINEERING
ACTING CHIEF ENGINEER

PROJECT NO.: _____ SHEET CONTENT: (ANNEX 'C') INSTALLATION DETAILS

LOCATION: GERVAJO QUIJADA ST., GUADALUPE, CEBU CITY

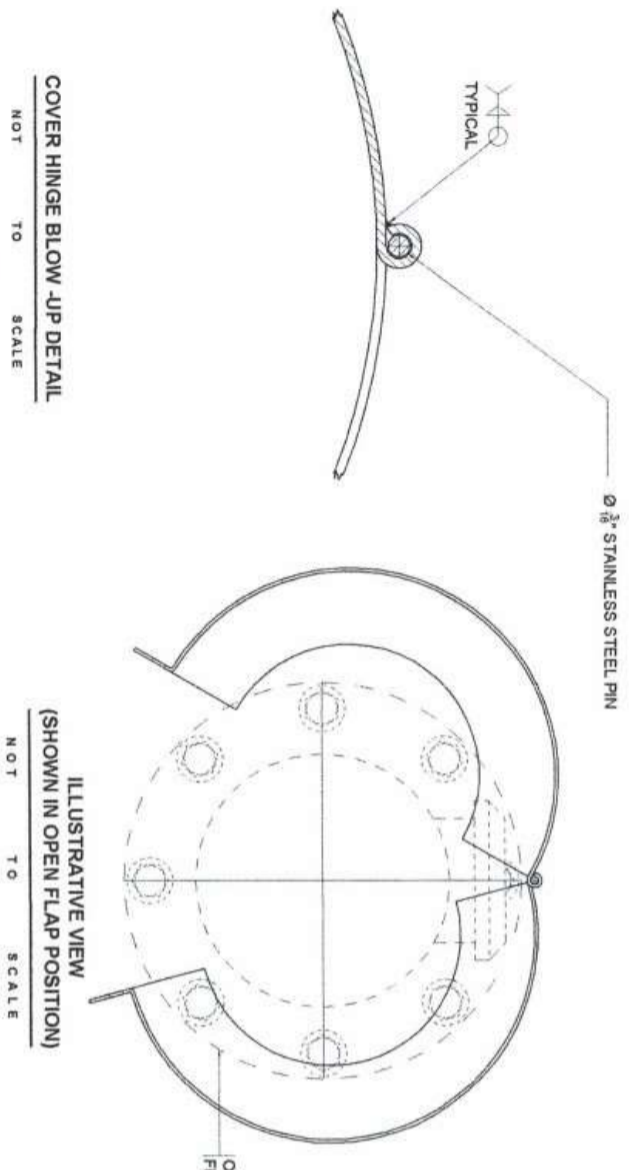
SCALE: AS INDICATED

SHEET NUMBER: 02 / 04



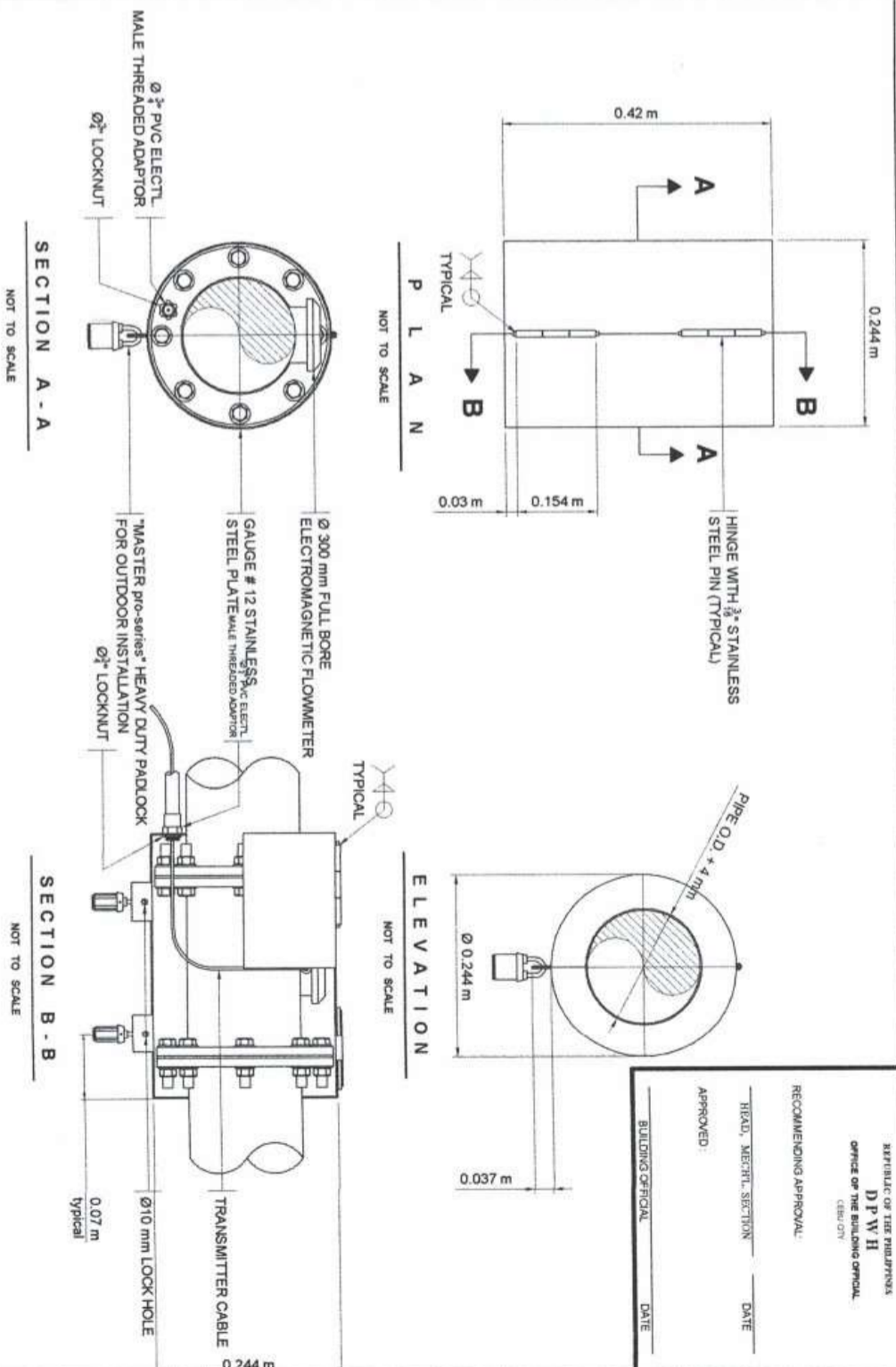
- LEGEND:
- BUTTERFLY VALVE
 - CHECK VALVE
 - EM FLOWMETER
 - FLOW STRAIGHTENER
 - AIR RELEASE/AIR VACCUUM VALVE

SCHEMATIC DIAGRAM



COVER HINGE BLOW-UP DETAIL
NOT TO SCALE

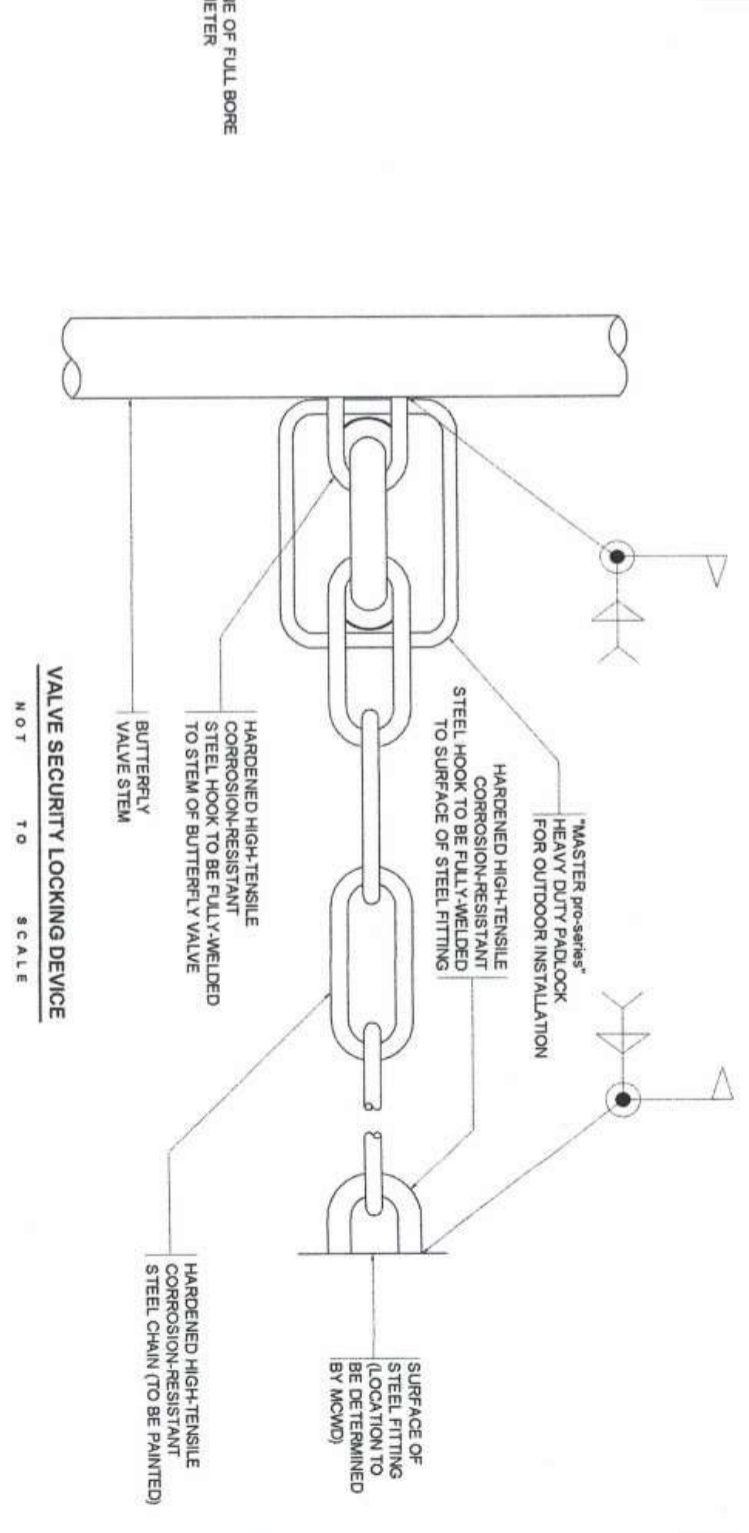
ILLUSTRATIVE VIEW
(SHOWN IN OPEN FLAP POSITION)
NOT TO SCALE



SECTION A - A
NOT TO SCALE

SECTION B - B
NOT TO SCALE

ELEVATION
NOT TO SCALE



VALVE SECURITY LOCKING DEVICE
NOT TO SCALE

REPUBLIC OF THE PHILIPPINES	
OFFICE OF THE BUILDING OFFICIAL	
D P W II	
CEBU CITY	
RECOMMENDING APPROVAL:	DATE:
HEAD, METR'L SECTION:	DATE:
APPROVED:	DATE:
BUILDING OFFICIAL:	DATE:

FROM THE OFFICE OF:

MCWD ENGINEERING DEPARTMENT

PREPARED BY: NELSON N. RUIZ
DATE: JULY 23, 2022

DRAWN BY: NELSON N. RUIZ
DATE: JULY 23, 2022

REGISTERED PROFESSIONAL MECHANICAL ENGINEER

REG. NO. _____ PTR. NO. _____ DATE: _____

PLACE: _____ SEAL

OWNER: **Hechohan Baku Water District**
CORNER MA BALANES & LUPULUPU STREETS CEBU CITY

APPROVED: **STEPHEN D. YEE**
REGISTERED PROFESSIONAL ENGINEER

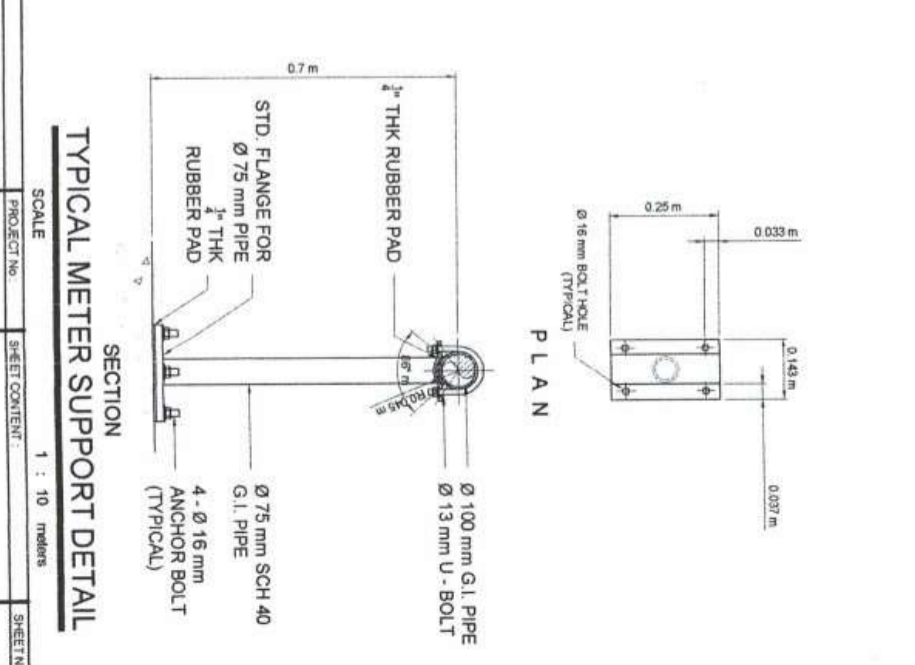
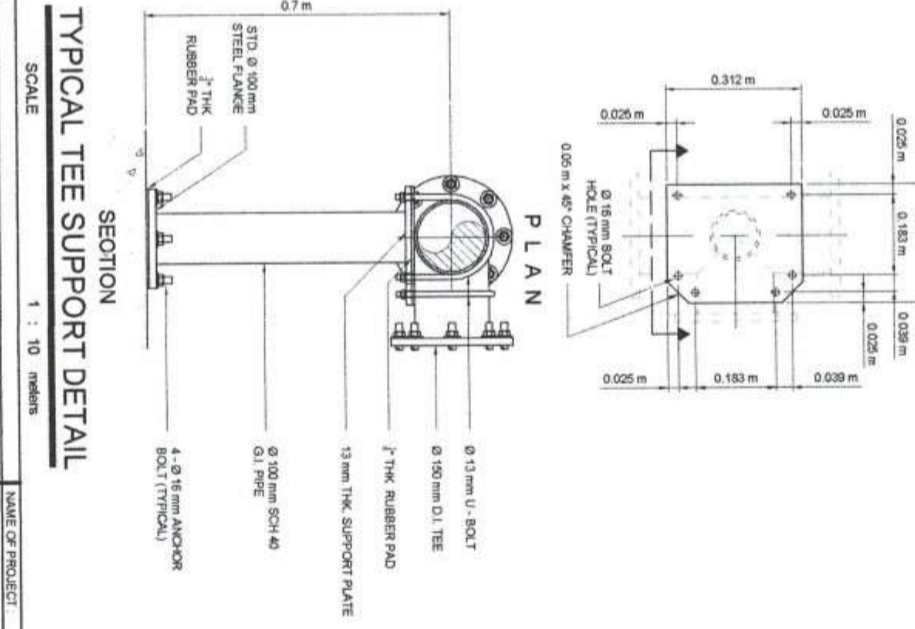
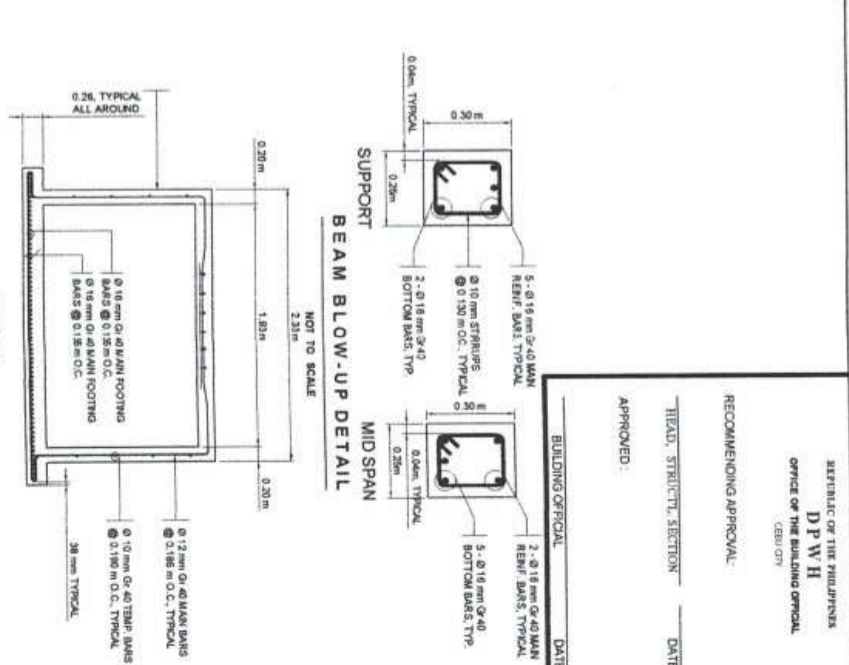
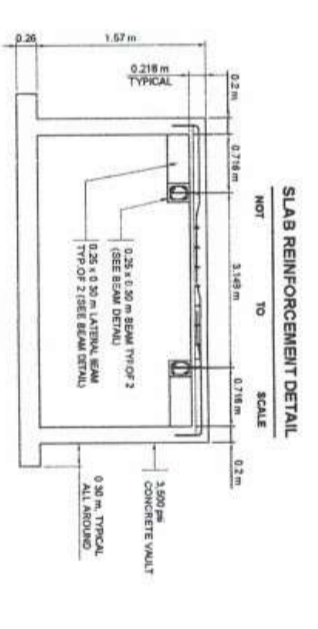
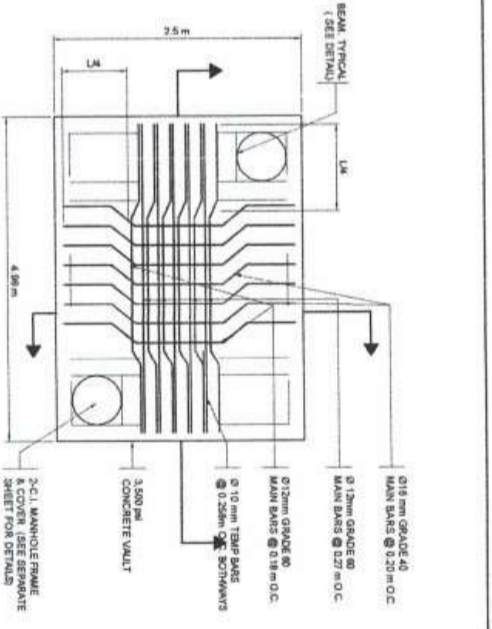
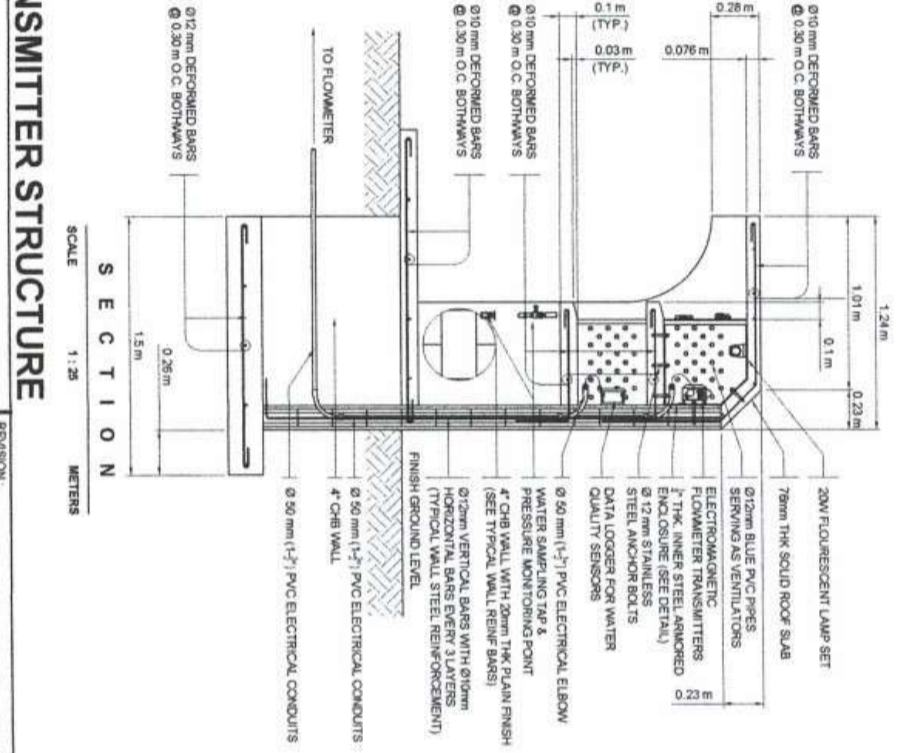
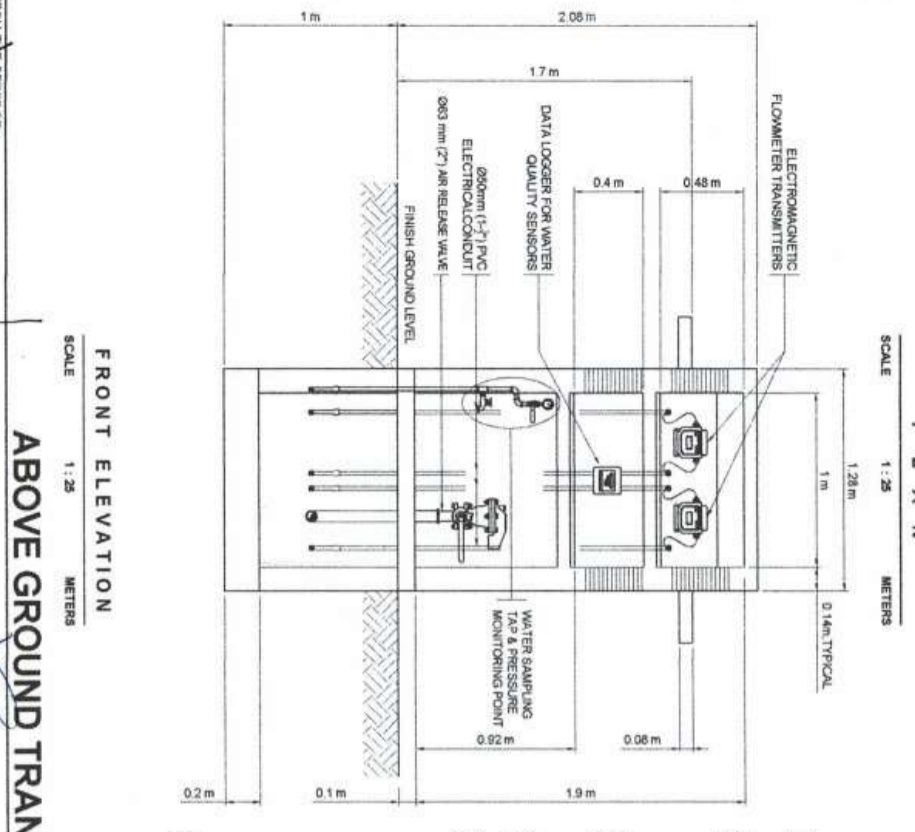
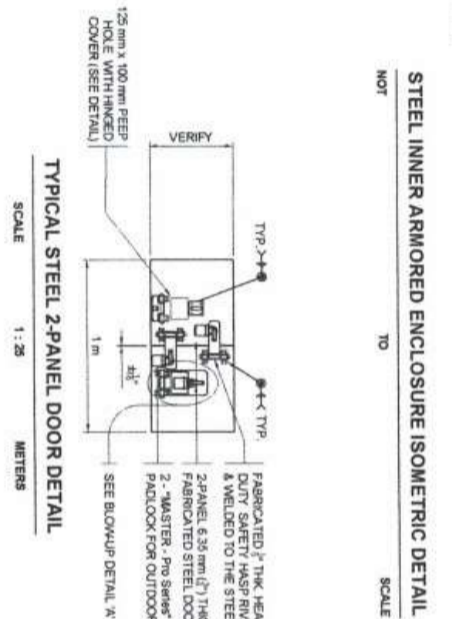
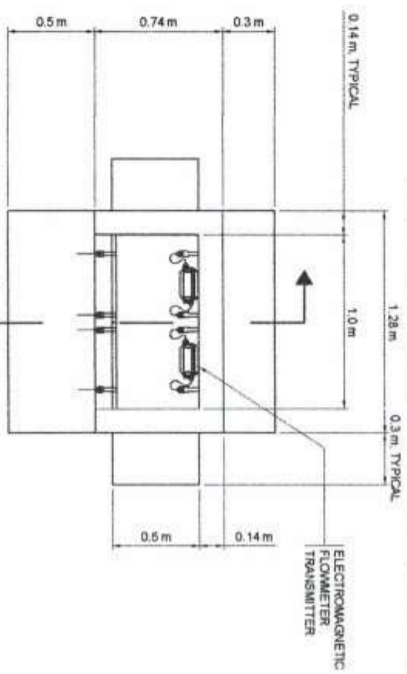
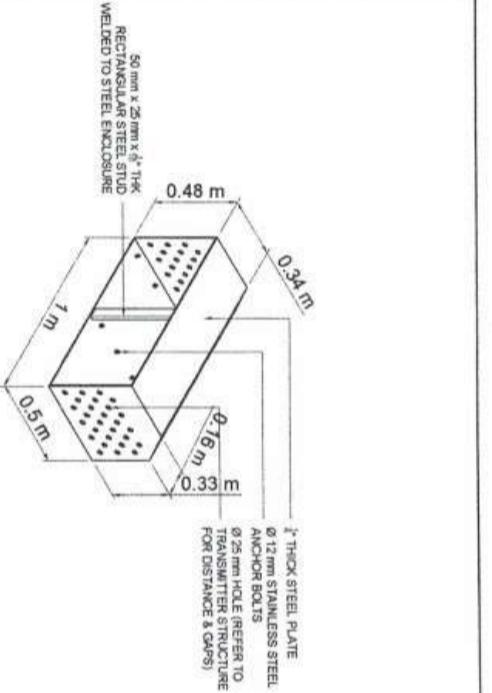
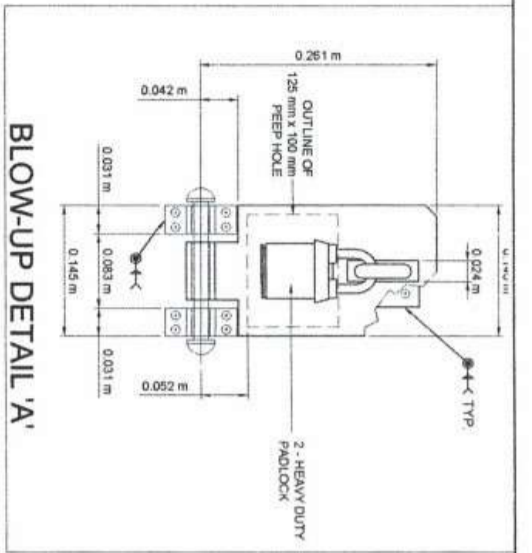
NAME OF PROJECT: **GUADALUPE BULK WATER SUPPLY PROJECT**

PROJECT NO. _____ SHEET CONTENT: (ANNEX 'C') VALVE LOCK & SENSOR ENCASMENT DETAIL, SCHEMATIC DIAGRAM

LOCATION: GERVAO QUILADA ST., GUADALUPE CEBU CITY

SCALE: AS INDICATED

SHEET NUMBER: **03** / **04**



MCWD ENGINEERING DEPARTMENT
ENR ENGINEERING CORPORATION

PREPARED BY: NELSON RUIZ
DATE: JULY 20, 2022
DRAWN BY: NELSON RUIZ
DATE: JULY 20, 2022

REG. NO. _____
PTR. NO. _____
DATE: _____
TIN: _____

NO.	DESCRIPTION	DATE REVIEWED	APPROVED

Hebeholhan Cebu Water District
CORNER MAPALANES & LAPULAVU STREETS, CEBU CITY

NAME OF PROJECT: GUADALUPE BULK WATER SUPPLY PROJECT
PROJECT NO.: _____
SHEET CONTENT: (ANNEX 'C') STRUCTURAL DETAILS
SCALE: AS INDICATED

RECOMMENDING APPROVAL: _____
DATE: _____
HEAD STRUCT'L SECTION: _____
APPROVED: _____
DATE: _____

SHEET NUMBER: 04