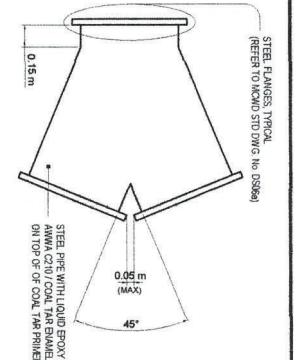
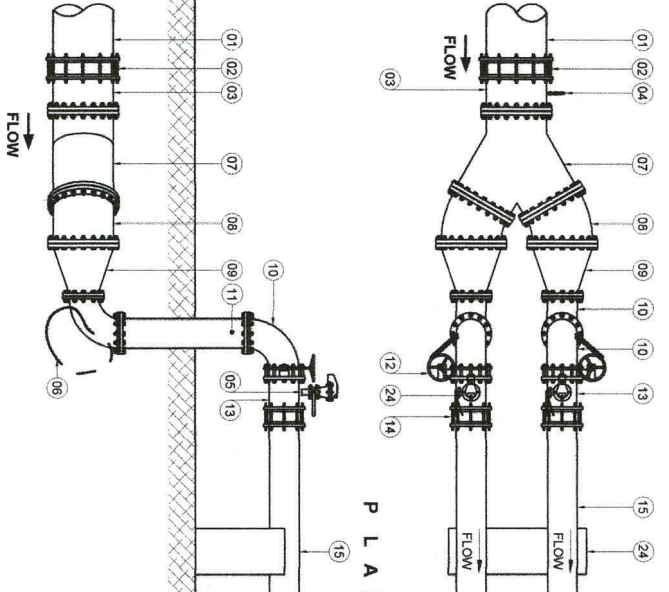


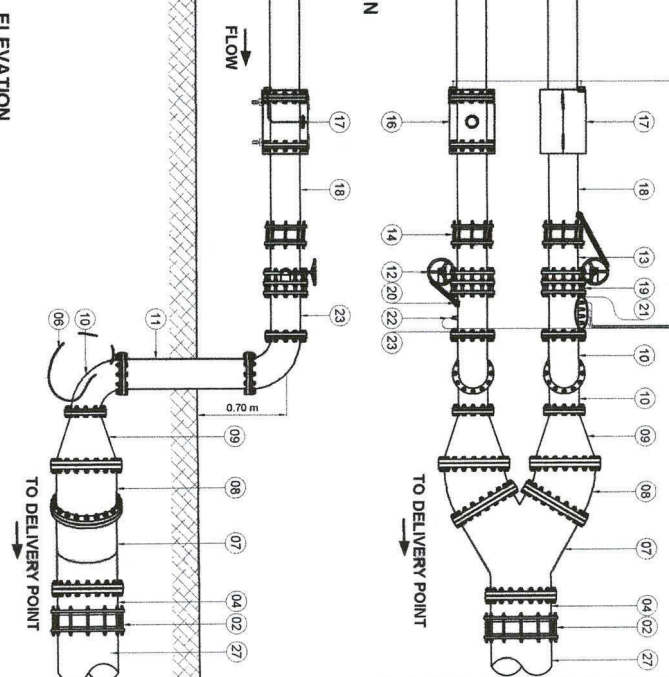
**TYPICAL FLOW METER MONITOR/RECEIVER DATA LOGGERS & REMOTE PRESSURE GAUGE/WATER SAMPLING ASSEMBLY INSTALLATION**



**DETAIL OF FABRICATED SPECIAL STEEL WYE, EPOXY-LINED/COAT TAR ENAMEL COATED (EL/EC)**



**P L A N**

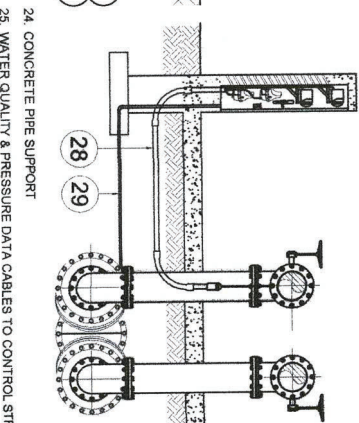


**E L E V A T I O N**

**LEGEND:**

01. PROPOSED (DIM<sub>1</sub>) CONNECTING PIPELINE FROM BWS PLANT
02. (D) (AT INFLOW/Ø200 mm (AT OUTFLOW), DUCTILE IRON FLEXIBLE COUPLING ASSEMBLY, (ADAPTION BASED ON SUPPLY PIPE MAT.)
03. (DIM<sub>2</sub>) (AT INFLOW/Ø200 mm DI (AT OUTFLOW), FLANGE ADAPTOR, FS (TO ADAPT PIPE MAT. TO BE CONNECTED)
04. Ø20 mm (1/2") WATER SAMPLING LINE SUCTION PORT
05. Ø63 mm (2") AIR RELEASE VALVE
06. STANDARD CONCRETE THRUST BLOCK (SEE STD. DETAIL)
07. (DIM<sub>1</sub>) (AT INFLOW/Ø200 mm (M<sub>1</sub>) (AT OUTFLOW), FABRICATED SPECIAL WYE, FFF (TYPICAL OF 2), SEE DETAIL
08. (D x 22.5T<sub>M1</sub>) (AT INFLOW/Ø200 mm x 22.5" DI (AT OUTFLOW), SHORT RADIUS ELBOW, FF (TYPICAL OF 2)
08. (D x 200 mm (M<sub>2</sub>) (AT INFLOW/Ø200 mm x 150 mm DI (AT OUTFLOW), STRAIGHT (CONCENTRIC) REDUCER, FF (TYPICAL OF 4)
10. Ø150 mm x 90° DI. ELBOW, FF (TYPICAL OF 8)
11. Ø150 mm STEEL SPOOL, FF (TYPICAL OF 4)
12. VALVE SECURITY AND LOCKING DEVICE, TYPICAL ON ALL VALVES INSIDE THE VAULT (SEE DETAIL ON SHT # 9)
13. Ø150 mm STEEL FLANGE ADAPTOR, FS, (TYPICAL)
14. Ø150 mm DUCTILE IRON FLEXIBLE COUPLING ASSEMBLY FOR STEEL CONNECTION (TYPICAL OF 4)
15. Ø150 mm x 750 mm STEEL UPSTREAM FLOW STRAIGHTENING SPOOL, FS, (REFER TO TABLE FOR LENGTH, TYP. OF 2)
16. FLOWMETER FABRICATED METAL CASING WITH LOOK (TYPICAL OF 2, SEE DETAIL)
17. Ø150 mm FULL BORE ELECTROMAGNETIC FLOWMETER SENSOR/TRANSMITTER (SHOWN WITHOUT VIEW ENCLOSUREMENT), TYP. OF 2 (SEE SPECIFICATIONS)
18. Ø150 mm x 450 mm STEEL DOWNSTREAM FLOW STRAIGHTENING SPOOL, FS (REFER TO TABLE FOR LENGTH, TYP. OF 2)
18. Ø150 mm WATER TYPE SWING CHECK VALVE WITH COUNTERWEIGHT, TYP. OF 2 (SEE SPECIFICATIONS)
20. VALVE LOCKING MECHANISM (TYPICAL FOR ALL EXPOSED VALVE HANDWHEELS)
21. WATER QUALITY & PRESSURE DATA CABLES TO CONTROL STRUCTURE
22. PRESSURE MONITORING SENSOR PORT
23. Ø150 mm STEEL FLANGE SPOOL, FF,

**OPTION 2 - SURFACE TYPE FLOW METER ASSEMBLY AT DROP-OFF POINT USING CONCENTRIC (STRAIGHT) REDUCERS**



**E L E V A T I O N**

24. CONCRETE PIPE SUPPORT
25. WATER QUALITY & PRESSURE DATA CABLES TO CONTROL STRUCTURE
26. PROPOSED ABOVE-GROUND FLOWMETER-TRANSMITTER STRUCTURE, SEE DETAIL (LOCATION FOR ACTUAL VERIFICATION)
27. (DIM<sub>1</sub>) CONNECTING PIPE TO INJECTION POINT
28. Ø 50 mm (1-1/2") PVC ELECTRICAL CONDUIT WITH 60° ELBOW, TYPICAL
29. Ø 20 mm (3/4") WATER LINE TO SAMPLING FAUCET/PRESSURE GAUGE

**WHERE:**

- (D) = Diameter of inflow & outflow pipes
- (d) = Diameter of flowmeter & its immediate fittings & appurtenances
- (M<sub>1</sub>) = Material of pipe
- \* = for Ø200 mm & smaller heavy-gauge, seamless, & galvanized
- = for Ø250 mm & larger spiral welded, epoxy-lined
- coal tar enamel coated (EL/EC) for buried instr.
- rubber alkyd coated (EL/RAC) for surface instr.

<p><b>MCOMD ENGINEERING DEPARTMENT</b>          PREPARED BY: <b>MELISSA L. ROIZ</b>          DATE: <b>04/12/2022</b></p>		<p>DESIGNED BY: <b>MELISSA L. ROIZ</b>          DATE: <b>OCT 12, 2022</b></p>	
<p>PROJECT NO. _____</p>		<p>DATE: _____</p>	
<p>PROJECT NAME: _____</p>		<p>SCALE: _____</p>	
<p>PROJECT LOCATION: _____</p>		<p>PROJECT NO.: _____</p>	
<p>PROJECT DESCRIPTION: _____</p>		<p>DATE REVIEWED/ APPROVED: _____</p>	
<p>PROJECT NO.: _____</p>		<p>DATE: _____</p>	
<p>PROJECT NAME: _____</p>		<p>DATE: _____</p>	
<p>PROJECT LOCATION: _____</p>		<p>DATE: _____</p>	
<p>PROJECT DESCRIPTION: _____</p>		<p>DATE: _____</p>	
<p>PROJECT NO.: _____</p>		<p>DATE: _____</p>	
<p>PROJECT NAME: _____</p>		<p>DATE: _____</p>	
<p>PROJECT LOCATION: _____</p>		<p>DATE: _____</p>	
<p>PROJECT DESCRIPTION: _____</p>		<p>DATE: _____</p>	
<p>PROJECT NO.: _____</p>		<p>DATE: _____</p>	
<p>PROJECT NAME: _____</p>		<p>DATE: _____</p>	
<p>PROJECT LOCATION: _____</p>		<p>DATE: _____</p>	
<p>PROJECT DESCRIPTION: _____</p>		<p>DATE: _____</p>	
<p>PROJECT NO.: _____</p>		<p>DATE: _____</p>	
<p>PROJECT NAME: _____</p>		<p>DATE: _____</p>	
<p>PROJECT LOCATION: _____</p>		<p>DATE: _____</p>	
<p>PROJECT DESCRIPTION: _____</p>		<p>DATE: _____</p>	
<p>PROJECT NO.: _____</p>		<p>DATE: _____</p>	
<p>PROJECT NAME: _____</p>		<p>DATE: _____</p>	
<p>PROJECT LOCATION: _____</p>		<p>DATE: _____</p>	
<p>PROJECT DESCRIPTION: _____</p>		<p>DATE: _____</p>	
<p>PROJECT NO.: _____</p>		<p>DATE: _____</p>	
<p>PROJECT NAME: _____</p>		<p>DATE: _____</p>	
<p>PROJECT LOCATION: _____</p>		<p>DATE: _____</p>	
<p>PROJECT DESCRIPTION: _____</p>		<p>DATE: _____</p>	
<p>PROJECT NO.: _____</p>		<p>DATE: _____</p>	
<p>PROJECT NAME: _____</p>		<p>DATE: _____</p>	
<p>PROJECT LOCATION: _____</p>		<p>DATE: _____</p>	
<p>PROJECT DESCRIPTION: _____</p>		<p>DATE: _____</p>	
<p>PROJECT NO.: _____</p>		<p>DATE: _____</p>	
<p>PROJECT NAME: _____</p>		<p>DATE: _____</p>	
<p>PROJECT LOCATION: _____</p>		<p>DATE: _____</p>	
<p>PROJECT DESCRIPTION: _____</p>		<p>DATE: _____</p>	
<p>PROJECT NO.: _____</p>		<p>DATE: _____</p>	
<p>PROJECT NAME: _____</p>		<p>DATE: _____</p>	
<p>PROJECT LOCATION: _____</p>		<p>DATE: _____</p>	
<p>PROJECT DESCRIPTION: _____</p>		<p>DATE: _____</p>	
<p>PROJECT NO.: _____</p>		<p>DATE: _____</p>	
<p>PROJECT NAME: _____</p>		<p>DATE: _____</p>	
<p>PROJECT LOCATION: _____</p>		<p>DATE: _____</p>	
<p>PROJECT DESCRIPTION: _____</p>		<p>DATE: _____</p>	
<p>PROJECT NO.: _____</p>		<p>DATE: _____</p>	
<p>PROJECT NAME: _____</p>		<p>DATE: _____</p>	
<p>PROJECT LOCATION: _____</p>		<p>DATE: _____</p>	
<p>PROJECT DESCRIPTION: _____</p>		<p>DATE: _____</p>	
<p>PROJECT NO.: _____</p>		<p>DATE: _____</p>	
<p>PROJECT NAME: _____</p>		<p>DATE: _____</p>	
<p>PROJECT LOCATION: _____</p>		<p>DATE: _____</p>	
<p>PROJECT DESCRIPTION: _____</p>		<p>DATE: _____</p>	
<p>PROJECT NO.: _____</p>		<p>DATE: _____</p>	
<p>PROJECT NAME: _____</p>		<p>DATE: _____</p>	
<p>PROJECT LOCATION: _____</p>		<p>DATE: _____</p>	
<p>PROJECT DESCRIPTION: _____</p>		<p>DATE: _____</p>	
<p>PROJECT NO.: _____</p>		<p>DATE: _____</p>	
<p>PROJECT NAME: _____</p>		<p>DATE: _____</p>	
<p>PROJECT LOCATION: _____</p>		<p>DATE: _____</p>	
<p>PROJECT DESCRIPTION: _____</p>		<p>DATE: _____</p>	
<p>PROJECT NO.: _____</p>		<p>DATE: _____</p>	
<p>PROJECT NAME: _____</p>		<p>DATE: _____</p>	
<p>PROJECT LOCATION: _____</p>		<p>DATE: _____</p>	
<p>PROJECT DESCRIPTION: _____</p>		<p>DATE: _____</p>	
<p>PROJECT NO.: _____</p>		<p>DATE: _____</p>	
<p>PROJECT NAME: _____</p>		<p>DATE: _____</p>	
<p>PROJECT LOCATION: _____</p>		<p>DATE: _____</p>	
<p>PROJECT DESCRIPTION: _____</p>		<p>DATE: _____</p>	
<p>PROJECT NO.: _____</p>		<p>DATE: _____</p>	
<p>PROJECT NAME: _____</p>		<p>DATE: _____</p>	
<p>PROJECT LOCATION: _____</p>		<p>DATE: _____</p>	
<p>PROJECT DESCRIPTION: _____</p>		<p>DATE: _____</p>	
<p>PROJECT NO.: _____</p>		<p>DATE: _____</p>	
<p>PROJECT NAME: _____</p>		<p>DATE: _____</p>	
<p>PROJECT LOCATION: _____</p>		<p>DATE: _____</p>	
<p>PROJECT DESCRIPTION: _____</p>		<p>DATE: _____</p>	
<p>PROJECT NO.: _____</p>		<p>DATE: _____</p>	
<p>PROJECT NAME: _____</p>		<p>DATE: _____</p>	
<p>PROJECT LOCATION: _____</p>		<p>DATE: _____</p>	
<p>PROJECT DESCRIPTION: _____</p>		<p>DATE: _____</p>	
<p>PROJECT NO.: _____</p>		<p>DATE: _____</p>	
<p>PROJECT NAME: _____</p>		<p>DATE: _____</p>	
<p>PROJECT LOCATION: _____</p>		<p>DATE: _____</p>	
<p>PROJECT DESCRIPTION: _____</p>		<p>DATE: _____</p>	
<p>PROJECT NO.: _____</p>		<p>DATE: _____</p>	
<p>PROJECT NAME: _____</p>		<p>DATE: _____</p>	
<p>PROJECT LOCATION: _____</p>		<p>DATE: _____</p>	
<p>PROJECT DESCRIPTION: _____</p>		<p>DATE: _____</p>	
<p>PROJECT NO.: _____</p>		<p>DATE: _____</p>	
<p>PROJECT NAME: _____</p>		<p>DATE: _____</p>	
<p>PROJECT LOCATION: _____</p>		<p>DATE: _____</p>	
<p>PROJECT DESCRIPTION: _____</p>		<p>DATE: _____</p>	
<p>PROJECT NO.: _____</p>		<p>DATE: _____</p>	
<p>PROJECT NAME: _____</p>		<p>DATE: _____</p>	
<p>PROJECT LOCATION: _____</p>		<p>DATE: _____</p>	
<p>PROJECT DESCRIPTION: _____</p>		<p>DATE: _____</p>	
<p>PROJECT NO.: _____</p>		<p>DATE: _____</p>	
<p>PROJECT NAME: _____</p>		<p>DATE: _____</p>	
<p>PROJECT LOCATION: _____</p>		<p>DATE: _____</p>	
<p>PROJECT DESCRIPTION: _____</p>		<p>DATE: _____</p>	
<p>PROJECT NO.: _____</p>		<p>DATE: _____</p>	
<p>PROJECT NAME: _____</p>		<p>DATE: _____</p>	
<p>PROJECT LOCATION: _____</p>		<p>DATE: _____</p>	
<p>PROJECT DESCRIPTION: _____</p>		<p>DATE: _____</p>	
<p>PROJECT NO.: _____</p>		<p>DATE: _____</p>	
<p>PROJECT NAME: _____</p>		<p>DATE: _____</p>	
<p>PROJECT LOCATION: _____</p>		<p>DATE: _____</p>	
<p>PROJECT DESCRIPTION: _____</p>		<p>DATE: _____</p>	
<p>PROJECT NO.: _____</p>		<p>DATE: _____</p>	
<p>PROJECT NAME: _____</p>		<p>DATE: _____</p>	
<p>PROJECT LOCATION: _____</p>		<p>DATE: _____</p>	
<p>PROJECT DESCRIPTION: _____</p>		<p>DATE: _____</p>	
<p>PROJECT NO.: _____</p>		<p>DATE: _____</p>	
<p>PROJECT NAME: _____</p>		<p>DATE: _____</p>	
<p>PROJECT LOCATION: _____</p>		<p>DATE: _____</p>	
<p>PROJECT DESCRIPTION: _____</p>		<p>DATE: _____</p>	
<p>PROJECT NO.: _____</p>		<p>DATE: _____</p>	
<p>PROJECT NAME: _____</p>		<p>DATE: _____</p>	
<p>PROJECT LOCATION: _____</p>		<p>DATE: _____</p>	
<p>PROJECT DESCRIPTION: _____</p>		<p>DATE: _____</p>	
<p>PROJECT NO.: _____</p>		<p>DATE: _____</p>	
<p>PROJECT NAME: _____</p>		<p>DATE: _____</p>	
<p>PROJECT LOCATION: _____</p>		<p>DATE: _____</p>	
<p>PROJECT DESCRIPTION: _____</p>		<p>DATE: _____</p>	
<p>PROJECT NO.: _____</p>		<p>DATE: _____</p>	
<p>PROJECT NAME: _____</p>		<p>DATE: _____</p>	
<p>PROJECT LOCATION: _____</p>		<p>DATE: _____</p>	
<p>PROJECT DESCRIPTION: _____</p>		<p>DATE: _____</p>	
<p>PROJECT NO.: _____</p>		<p>DATE: _____</p>	
<p>PROJECT NAME: _____</p>		<p>DATE: _____</p>	
<p>PROJECT LOCATION: _____</p>		<p>DATE: _____</p>	
<p>PROJECT DESCRIPTION: _____</p>		<p>DATE: _____</p>	
<p>PROJECT NO.: _____</p>		<p>DATE: _____</p>	
<p>PROJECT NAME: _____</p>		<p>DATE: _____</p>	
<p>PROJECT LOCATION: _____</p>		<p>DATE: _____</p>	
<p>PROJECT DESCRIPTION: _____</p>		<p>DATE: _____</p>	
<p>PROJECT NO.: _____</p>		<p>DATE: _____</p>	
<p>PROJECT NAME: _____</p>		<p>DATE: _____</p>	
<p>PROJECT LOCATION: _____</p>		<p>DATE: _____</p>	
<p>PROJECT DESCRIPTION: _____</p>		<p>DATE: _____</p>	
<p>PROJECT NO.: _____</p>		<p>DATE: _____</p>	
<p>PROJECT NAME: _____</p>		<p>DATE: _____</p>	
<p>PROJECT LOCATION: _____</p>		<p>DATE: _____</p>	
<p>PROJECT DESCRIPTION: _____</p>		<p>DATE: _____</p>	
<p>PROJECT NO.: _____</p>		<p>DATE: _____</p>	
<p>PROJECT NAME: _____</p>		<p>DATE: _____</p>	
<p>PROJECT LOCATION: _____</p>		<p>DATE: _____</p>	
<p>PROJECT DESCRIPTION: _____</p>		<p>DATE: _____</p>	
<p>PROJECT NO.: _____</p>		<p>DATE: _____</p>	
<p>PROJECT NAME: _____</p>		<p>DATE: _____</p>	
<p>PROJECT LOCATION: _____</p>		<p>DATE: _____</p>	
<p>PROJECT DESCRIPTION: _____</p>		<p>DATE: _____</p>	
<p>PROJECT NO.: _____</p>		<p>DATE: _____</p>	
<p>PROJECT NAME: _____</p>		<p>DATE: _____</p>	
<p>PROJECT LOCATION: _____</p>		<p>DATE: _____</p>	
<p>PROJECT DESCRIPTION: _____</p>		<p>DATE: _____</p>	
<p>PROJECT NO.: _____</p>		<p>DATE: _____</p>	
<p>PROJECT NAME: _____</p>		<p>DATE: _____</p>	
<p>PROJECT LOCATION: _____</p>		<p>DATE: _____</p>	
<p>PROJECT DESCRIPTION: _____</p>		<p>DATE: _____</p>	
<p>PROJECT NO.: _____</p>		<p>DATE: _____</p>	
<p>PROJECT NAME: _____</p>		<p>DATE: _____</p>	
<p>PROJECT LOCATION: _____</p>		<p>DATE: _____</p>	
<p>PROJECT DESCRIPTION: _____</p>		<p>DATE: _____</p>	
<p>PROJECT NO.: _____</p>		<p>DATE: _____</p>	
<p>PROJECT NAME: _____</p>		<p>DATE: _____</p>	
<p>PROJECT LOCATION: _____</p>		<p>DATE: _____</p>	
<p>PROJECT DESCRIPTION: _____</p>		<p>DATE: _____</p>	
<p>PROJECT NO.: _____</p>		<p>DATE: _____</p>	
<p>PROJECT NAME: _____</p>		<p>DATE: _____</p>	
<p>PROJECT LOCATION: _____</p>		<p>DATE: _____</p>	
<p>PROJECT DESCRIPTION: _____</p>		<p>DATE: _____</p>	
<p>PROJECT NO.: _____</p>		<p>DATE: _____</p>	
<p>PROJECT NAME: _____</p>		<p>DATE: _____</p>	
<p>PROJECT LOCATION: _____</p>		<p>DATE: _____</p>	
<p>PROJECT DESCRIPTION: _____</p>		<p>DATE: _____</p>	
<p>PROJECT NO.: _____</p>		<p>DATE: _____</p>	
<p>PROJECT NAME: _____</p>		<p>DATE: _____</p>	
<p>PROJECT LOCATION: _____</p>		<p>DATE: _____</p>	
<p>PROJECT DESCRIPTION: _____</p>		<p>DATE: _____</p>	
<p>PROJECT NO.: _____</p>		<p>DATE: _____</p>	
<p>PROJECT NAME: _____</p>		<p>DATE: _____</p>	
<p>PROJECT LOCATION: _____</p>		<p>DATE: _____</p>	
<p>PROJECT DESCRIPTION: _____</p>		<p>DATE: _____</p>	
<p>PROJECT NO.: _____</p>		<p>DATE: _____</p>	
<p>PROJECT NAME: _____</p>		<p>DATE: _____</p>	
<p>PROJECT LOCATION: _____</p>		<p>DATE: _____</p>	
<p>PROJECT DESCRIPTION: _____</p>		<p>DATE: _____</p>	
<p>PROJECT NO.: _____</p>		<p>DATE: _____</p>	
<p>PROJECT NAME: _____</p>		<p>DATE: _____</p>	
<p>PROJECT LOCATION: _____</p>		<p>DATE: _____</p>	
<p>PROJECT DESCRIPTION: _____</p>		<p>DATE: _____</p>	
<p>PROJECT NO.: _____</p>		<p>DATE: _____</p>	
<p>PROJECT NAME: _____</p>		<p>DATE: _____</p>	
<p>PROJECT LOCATION: _____</p>		<p>DATE: _____</p>	
<p>PROJECT DESCRIPTION: _____</p>		<p>DATE: _____</p>	
<p>PROJECT NO.: _____</p>		<p>DATE: _____</p>	
<p>PROJECT NAME: _____</p>		<p>DATE: _____</p>	
<p>PROJECT LOCATION: _____</p>		<p>DATE: _____</p>	
<p>PROJECT DESCRIPTION: _____</p>		<p>DATE: _____</p>	
<p>PROJECT NO.: _____</p>		<p>DATE: _____</p>	
<p>PROJECT NAME: _____</p>		<p>DATE: _____</p>	
<p>PROJECT LOCATION: _____</p>		<p>DATE: _____</p>	
<p>PROJECT DESCRIPTION: _____</p>		<p>DATE: _____</p>	
<p>PROJECT NO.: _____</p>		<p>DATE: _____</p>	
<p>PROJECT NAME: _____</p>		<p>DATE: _____</p>	
<p>PROJECT LOCATION: _____</p>		<p>DATE: _____</p>	
<p>PROJECT DESCRIPTION: _____</p>		<p>DATE: _____</p>	
<p>PROJECT NO.: _____</p>		<p>DATE: _____</p>	
<p>PROJECT NAME: _____</p>		<p>DATE: _____</p>	
<p>PROJECT LOCATION: _____</p>		<p>DATE: _____</p>	
<p>PROJECT DESCRIPTION: _____</p>		<p>DATE: _____</p>	
<p>PROJECT NO.: _____</p>		<p>DATE: _____</p>	
<p>PROJECT NAME: _____</p>		<p>DATE: _____</p>	
<p>PROJECT LOCATION: _____</p>		<p>DATE: _____</p>	
<p>PROJECT DESCRIPTION: _____</p>		<p>DATE: _____</p>	
<p>PROJECT NO.: _____</p>		<p>DATE: _____</p> </	