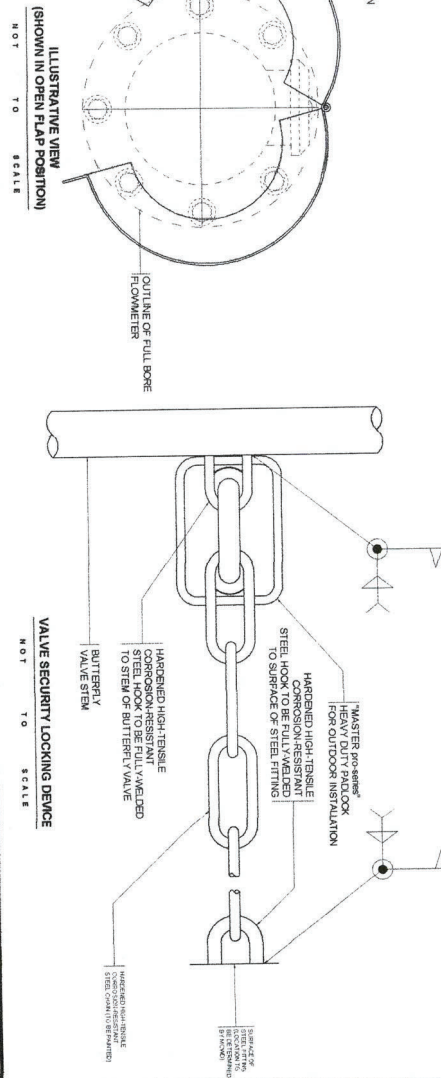
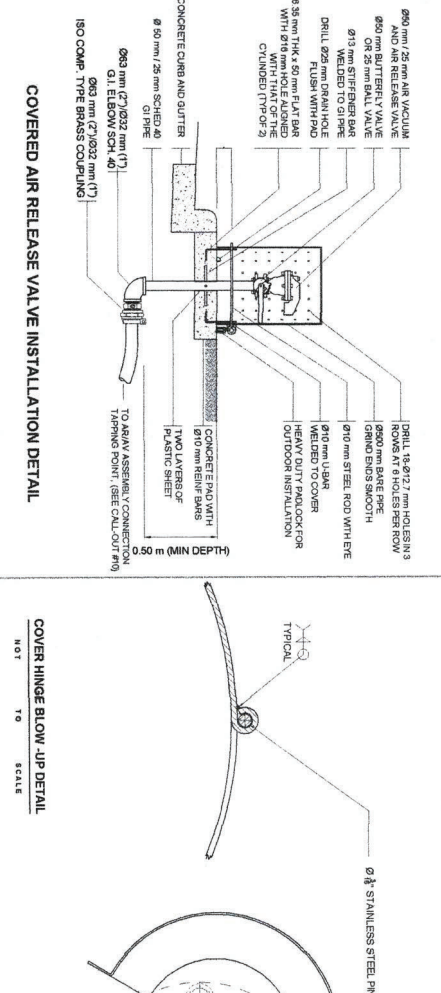
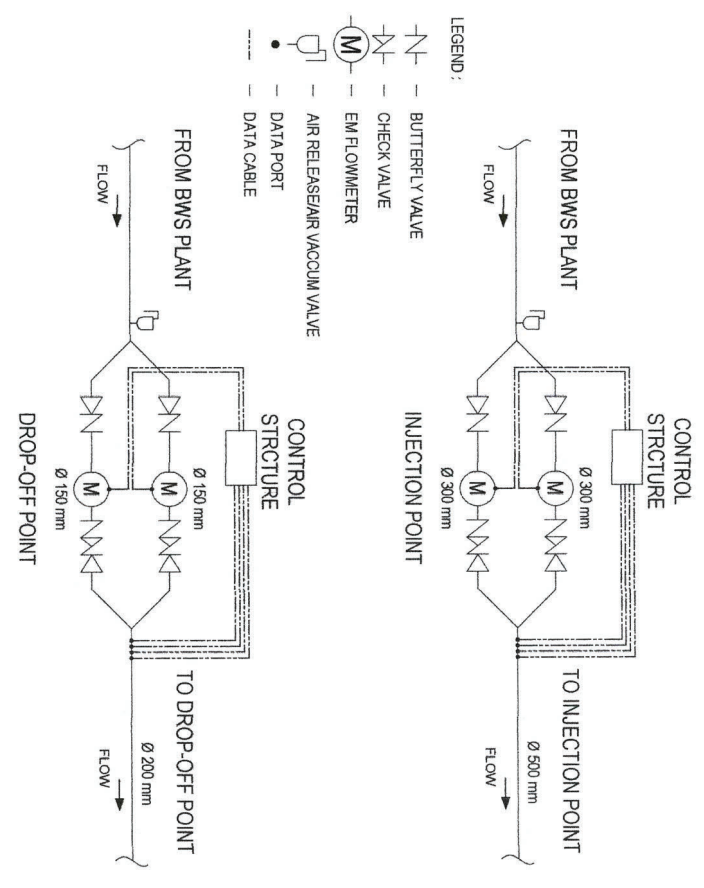


METER ASSEMBLY SCHEMATIC DIAGRAM



COVERED AIR RELEASE VALVE INSTALLATION DETAIL

COVER HINGE BLOW-UP DETAIL (SHOWN IN OPEN FLAP POSITION)

<p>MOWD ENGINEERING DEPARTMENT PREPARED BY: NELSON H. RUIZ DATE: OCT 12, 2022</p>		<p>REVISION: NO. DESCRIPTION DATE REVIEWED APPROVED</p>	
<p>DATE: OCT 12, 2022 DRAWN BY: NELSON H. RUIZ DATE: OCT 12, 2022</p>		<p>REG. NO. _____ PPR. NO. _____ DATE: _____</p>	
<p>PLACE _____ SEAL _____ TIN _____</p>	<p>NO. _____ DESCRIPTION _____ DATE _____ REVIEWED APPROVED _____</p>	<p>Machado & Castro, Shick Covered Manholes & Utility Structures, CENRO CITY SOUTH PROJECT</p>	
<p>JULIETA P. _____ ROYAL G. _____ _____</p>	<p>JOSE L. GABRIENTE _____</p>	<p>ERICA H. DOMINGO _____</p>	<p>PROJECT NO. _____ SHEET NO. _____</p>
<p>DATE: OCT 12, 2022</p>	<p>DATE: _____</p>	<p>LOCATION: BIRDS PARADISE AND AVALAN, CENRO CITY SOUTH PROJECT</p>	<p>SHEET CONTENT: ANWER 'V' SCHEM DIAGRAM, ARW/COVER, VALVE LOCK & SENSOR ENCASEMENT DETAIL</p>
<p>SCALE: AS INDICATED</p>	<p>SCALE: AS INDICATED</p>	<p>SCALE: AS INDICATED</p>	<p>SHEET NUMBER: 07 / 08</p>